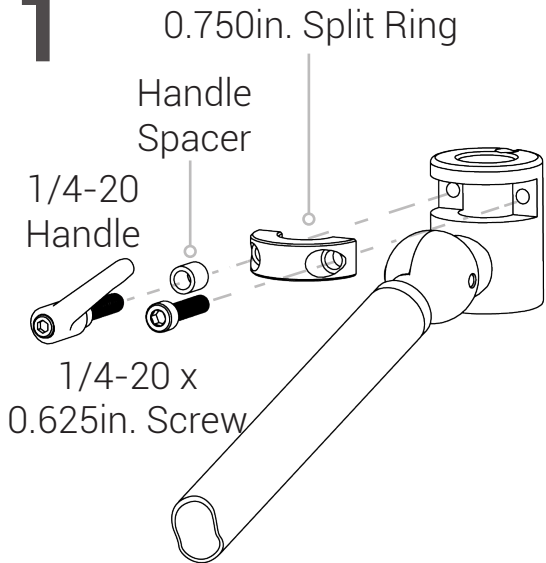
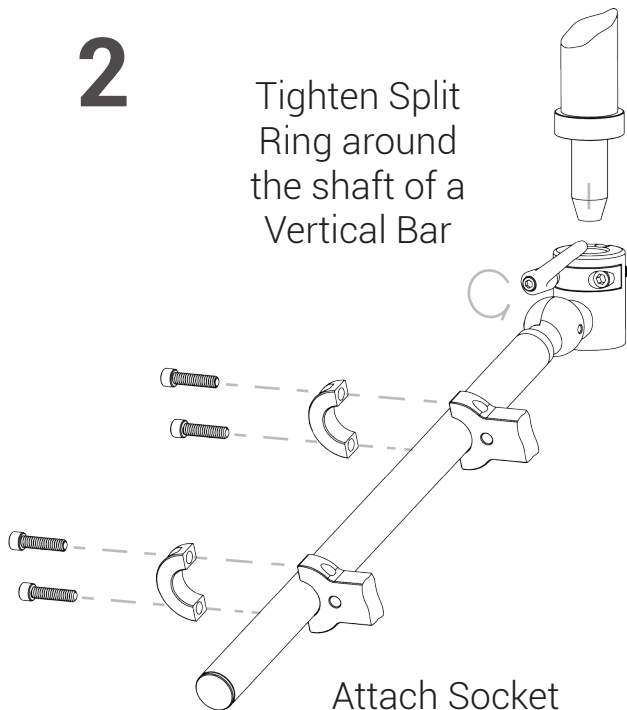


1



2



# Serrated Socket Bar

## CONTACT

P. 416.646.4361

F. 416.646.4358

[www.ideasfil.com](http://www.ideasfil.com)

16 Malley Road  
Scarborough, Ontario  
M1L 2E2



Part # 8511

\*only use mounting plates on the devices which they are designated for