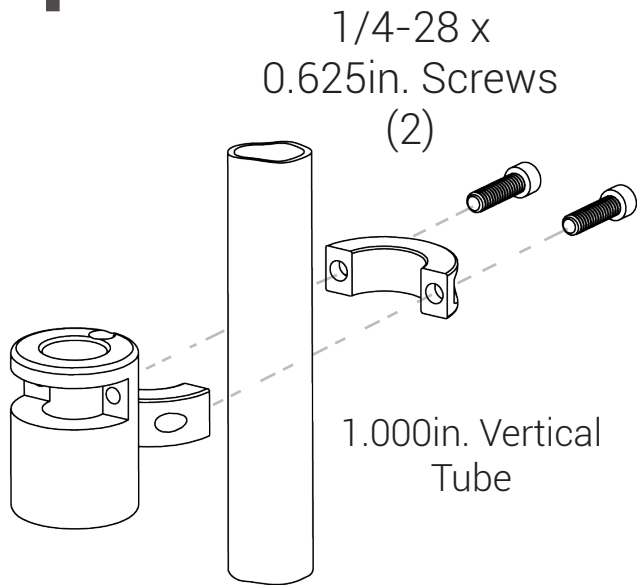
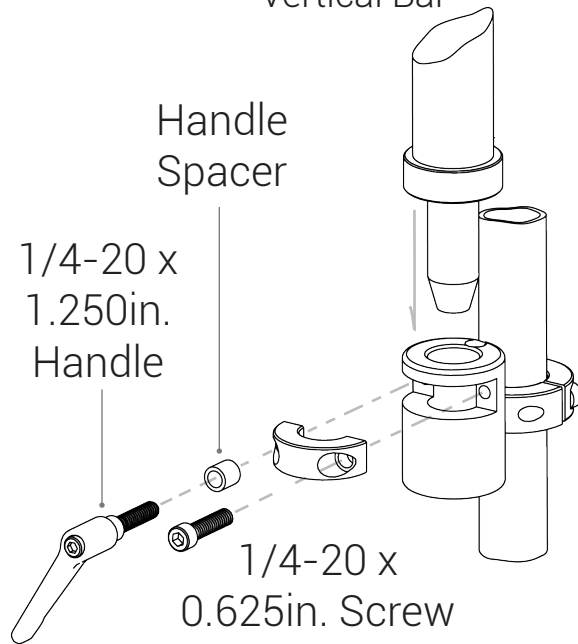


1



2

Tighten Split Ring around the shaft of a Vertical Bar



CONTACT

P. 416.646.4361

F. 416.646.4358

www.ideasfil.com

16 Malley Road
Scarborough, Ontario
M1L 2E2

Direct Mount Socket



Part # 7106

*only use mounting plates on the devices which they are designated for