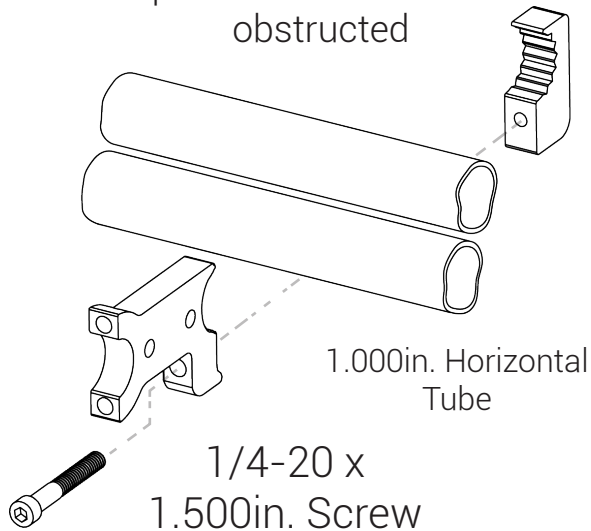


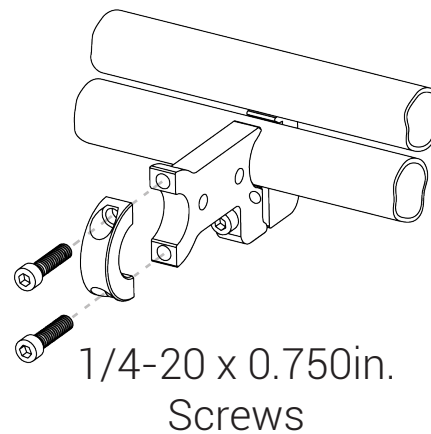
# 1

Use Zero Clearance Brackets when a portion of the tube is obstructed



# 2

Tighten Split Ring around the shaft of a Socket Bar



## CONTACT

P. 416.646.4361

F. 416.646.4358

[www.ideasfil.com](http://www.ideasfil.com)

16 Malley Road  
Scarborough, Ontario  
M1L 2E2

# Zero Clearance Bracket



Part # 6145

\*only use mounting plates on the devices which they  
are designated for