

# ideas for independent living inc.



## Lift And Lock Arm Assembly Guide

## Identifying an Arm Assembly

The example assemblies shown throughout this guide are just a subset of all possible combinations.

Lift and Lock Arms can be ordered as pre made assemblies, or they can be made from component assemblies.

Component assemblies must be joined with other component assemblies to build an arm

For example:

8072 Articulating Arm  
Commonly used arm assembly



+



8538 3" Solid Riser Post

8072 Articulating Arm

= Articulating Arm with Solid Riser

Common user made assembly from available arm component assemblies.



Begin by identifying an arm from the examples shown. If you are unable to identify an arm, begin by identifying a main component assembly.

Assemblies are shown alongside a joint configuration that is used in that assembly. Component assemblies are shown alongside joints that would be used to join them to other component assemblies or assemblies.

A Standard Bone and a Tail Bone require the same attachment method.



CLICK RISER

PTFE WASHER



BONE/  
TAIL BONE

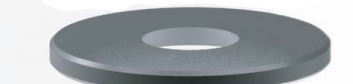
BUSHING



SPRING WASHER



6mm WASHER



6mm SCREW



10160 (formerly 8073) Articulating Arm with Riser



8374 ht assembly with click riser



8867 Click Riser



8225 single arm bone



COVER STICKER



8mm SCREW

8mm WASHER



SPRING WASHER

BUSHING



BONE/  
TAIL BONE



PTFE WASHER



SINGLE ADAPTER

45 DEGREE BONE



45 Degree Bones use similar connections on both ends.

8074 M2 Assembly



8069 M2X Assembly



8127 M2 MAX Assembly



8225 single arm bone



8515 Single Arm Bone 45 Degree



COVER STICKER



6mm SCREW

6mm WASHER



SPRING WASHER



BUSHING



BONE/



PTFE WASHER



ONE INCH SOLID RISER/  
THREE INCH SOLID RISER



PTFE WASHER  
BONE/  
TAIL BONE/



BUSHING



SPRING WASHER



6mm WASHER



6mm SCREW



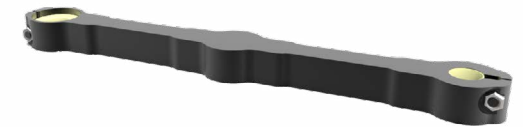
8872 1" Solid Riser Post



8538 3" Solid Riser Post



10228 Extended Arm Bone



8225 single arm bone



COVER STICKER  
6mm SCREW



A Standard Bone and a Tail Bone require the same attachment method.

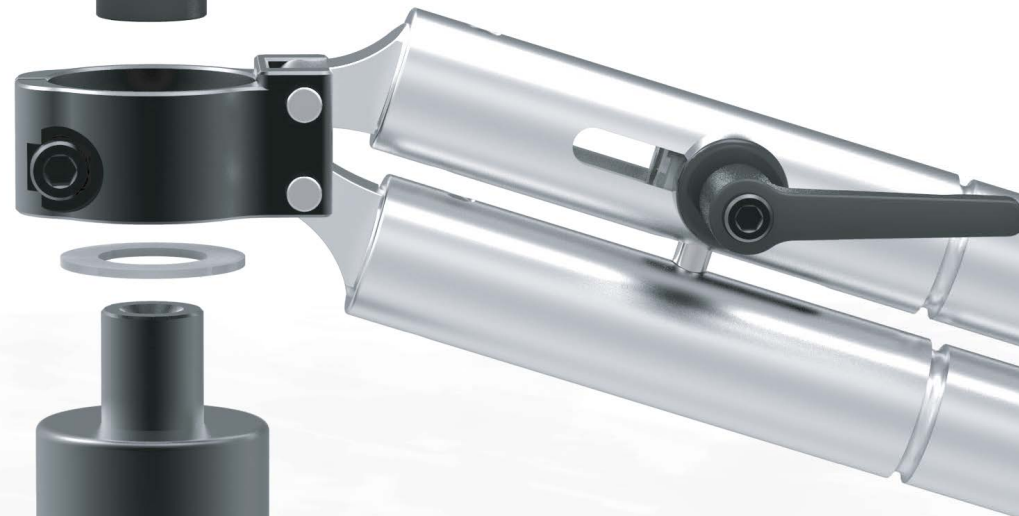
6mm WASHER  
SPRING WASHER



BUSHING



M2 RISER



PTFE WASHER



ONE INCH SOLID RISER/  
THREE INCH SOLID RISER



PTFE WASHER



STANDARD BONE/  
TAIL BONE



BUSHING



SPRING WASHER



6mm WASHER



6mm SCREW



8074 M2 Assembly



8069 M2X Assembly



8127 M2 MAX Assembly



8864 M2 Cylinder Pack



8865 M2X Cylinder Pack



8866 M2 Max Cylinder Pack



10026 M2X Straight Arm Assembly



8225 single arm bone



TOP HAT

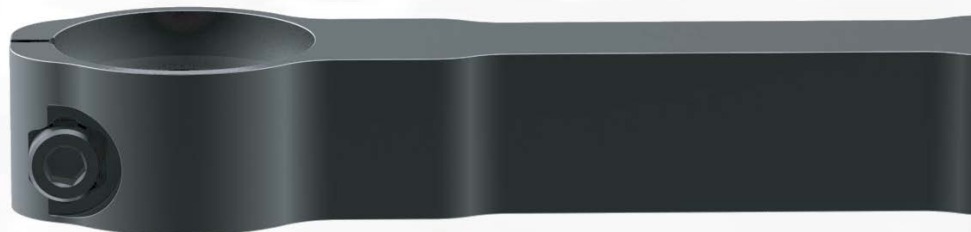


The same connection can be used when attaching a Head to a Standard Bone.

BUSHING



BONE/  
TAIL BONE



PTFE WASHER



BONE/  
TAIL BONE

BUSHING



SPRING WASHER



6mm WASHER



6mm SCREW



A Standard Bone and a Tail Bone require the same attachment method.

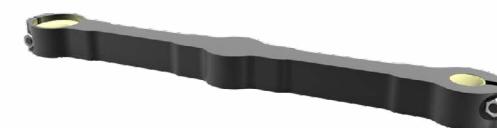
8072 Articulating Arm



8224 HT Assembly

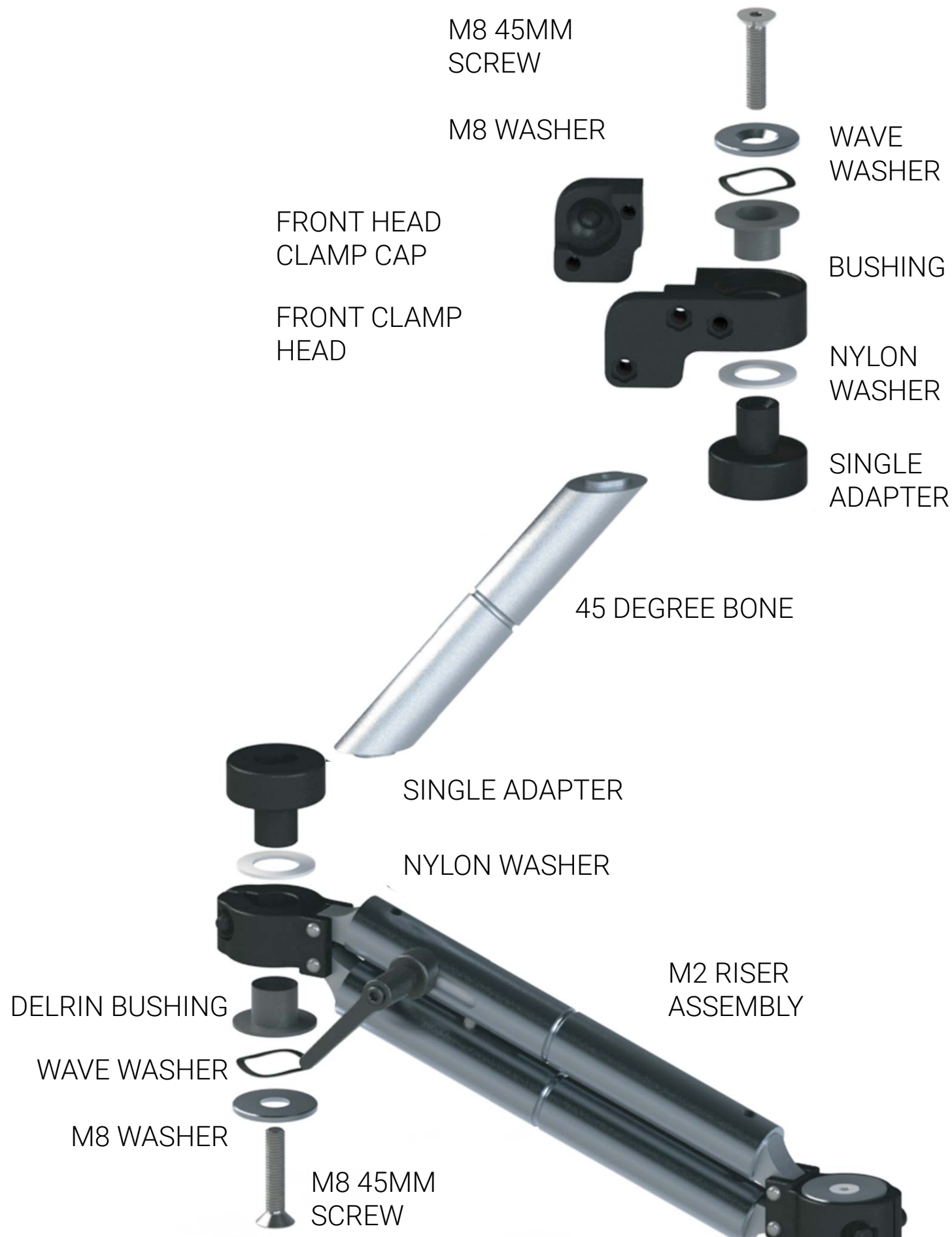


10228 Extended Arm Bone



8225 single arm bone





8074 M2 Assembly



8069 M2X Assembly



8127 M2 MAX Assembly



8374 HT assembly with click riser



8224 HT Assembly



8515 Single Arm Bone 45 Degree



COVER STICKER  
 6mm SCREW  
 6mm WASHER  
 PTFE WASHER  
 STANDARD HEAD



To invert a Lift and Lock Head, the Head must be flipped upside down and attached with an Inverted Head Post

SPRING WASHER  
 BUSHING



INVERTED HEAD POST



10026 M2X Straight Arm Assembly



PTFE WASHER  
 STANDARD BONE



8225 single arm bone



BUSHING  
 SPRING WASHER  
 6mm WASHER  
 6mm SCREW



A Standard Bone and a Tail Bone require the same attachment method.

10228 Extended Arm Bone





M2 Cylinder Pack:  
2x Silver Tubes  
0-5lbs Device Weight

M2 X Cylinder Pack:  
1x Silver Tube, 1x Black Tube  
5-10 lbs Device Weight



M2 MAX Cylinder Pack:  
2x Black Tubes  
10-15lbs Device Weight



[www.ideasfil.com](http://www.ideasfil.com)

P. 416.646.4361

16 Malley Road  
Scarborough, Ontario  
M1L 2E2