



Hardware Technical Specification
and Product Application

Lift and Lock Hardware
Handles, Screws, Washers



1/4-20 x 1 Handle

9394

Applications: Products including, but not limited to: direct mount sockets, t-track direct mount socket, rolling floor stand base, serrated and strait socket bars, desk mount, extended single post mount, etc.



1/4-20 x 1 1/4 Handle

9395

Application: Swivel Arm Rests, multi positional wedge receiver, heavy duty wedge receiver, standard wedge receiver.



6MM x 32 Handle

9399

Applications: tail assembly, M2 arm assemblies/cylinder packs.



6MM x 40 Handle

9400

Application: head assembly.



10-32 x 9/16 “Long Handle”

9397

Applications: Products including, but not limited to, socket only, 4”, 6”, 8”, 10” tube and socket.



10-32 x 9/16 "Short Handle"

9396

Applications: Double/single sided head switch mounts.



10-32 x 1 1/4

9398

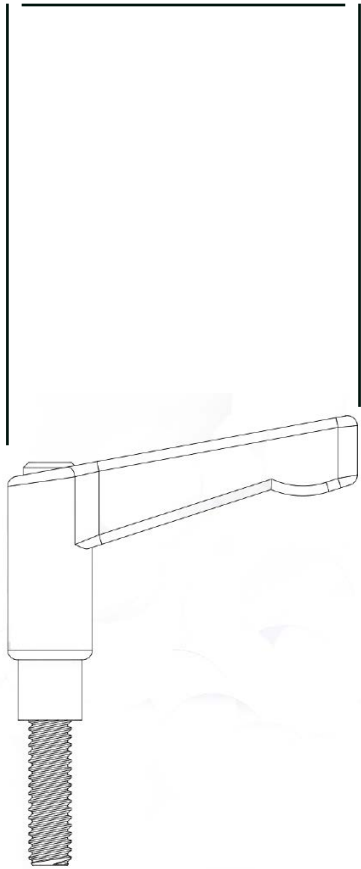
Applications: Captive rotation socket, flange mount.



Handle Size

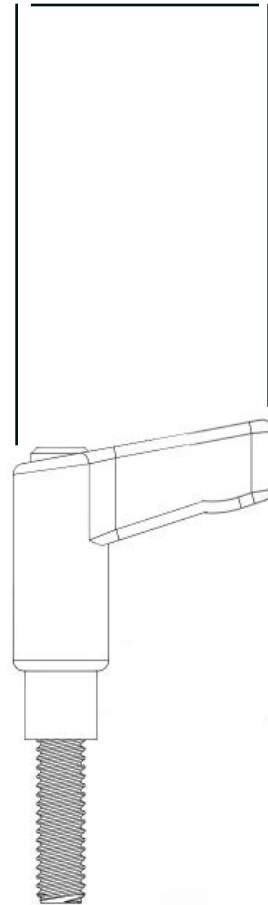
Unless otherwise noted, handle length is assumed to be “long”.

2.1”



“Long Handle”

1.5”



“Short Handle”

Split Ring Hardware Sequence

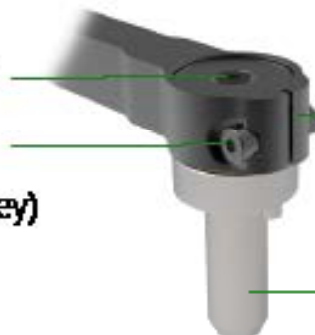
This Combination of hardware items is found on Products including, but not limited to: Direct Mount Sockets, Vertical Bars, Vertical Extension Bars, Extended Socket Arms,



Bone to Post + Riser Assembly Procedure

6mm Flat head Screw
(uses 5/32 4mm Allen Key)

6mm Cap Head Screw
(uses 3/16 or 6mm Allen Key)



Single Arm Bone, Tail Bone, Extended Arm Bone

1 Inch Solid Riser/ 3 inch Riser/ Mini Direct Post, Etc



1
Snug 6mm Flat Head Screw
using 5/32 (4mm) allen key

2
Tighten 6mm cap screw
using 3/16 (6mm) allen key



2
Tighten 6mm cap screw
using 3/16 (6mm) allen key

