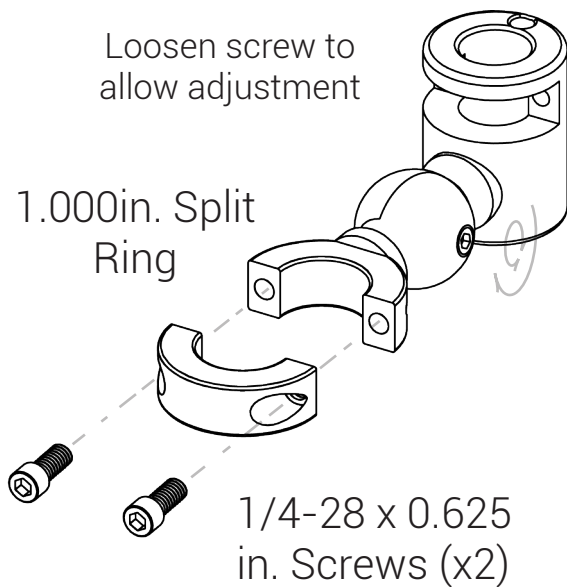


1

Loosen screw to allow adjustment

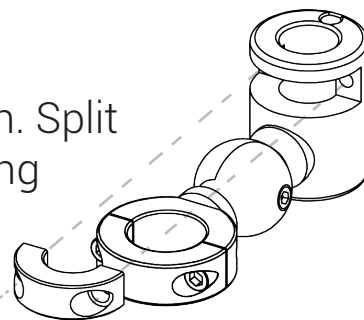
1.000in. Split Ring



2

0.750in. Split Ring

Handle Spacer



CONTACT

P. 416.646.4361

F. 416.646.4358

www.ideasfil.com

16 Malley Road
Scarborough, Ontario
M1L 2E2

Vertical Serrated Direct Mount Socket



Part # 8540

*only use mounting plates on the devices which they
are designated for