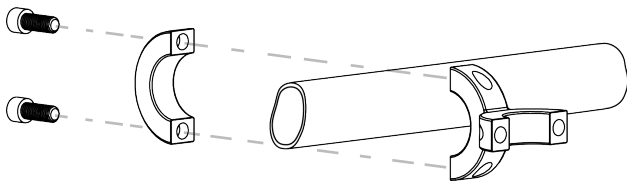


# 1

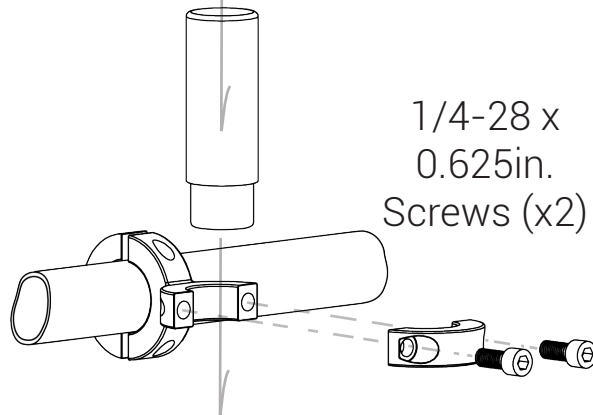
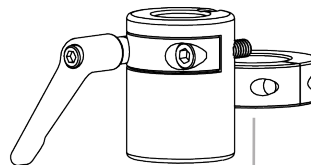
Attach the bracket  
to the frame of the  
wheelchair

1/4-28 x  
0.625in.  
Screws (x2)



# 2

Attach your  
Direct Mount  
Socket onto  
the stud



1/4-28 x  
0.625in.  
Screws (x2)

# 90 Degree Bracket

## CONTACT

P. 416.646.4361

F. 416.646.4358

[www.ideasfil.com](http://www.ideasfil.com)

16 Malley Road  
Scarborough, Ontario  
M1L 2E2



Part # 6320

\*only use mounting plates on the devices which they are designated for