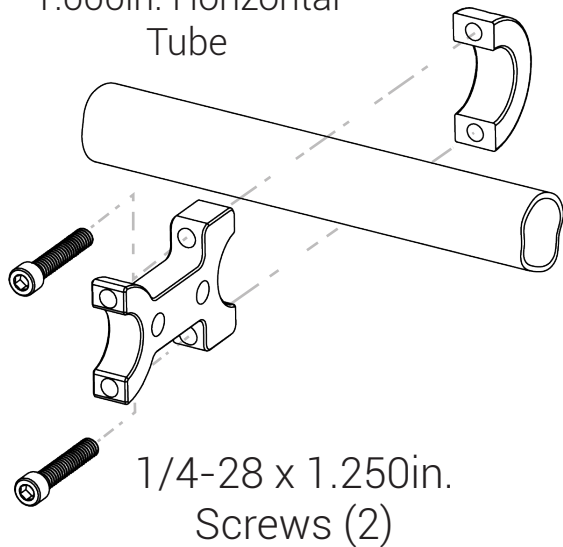


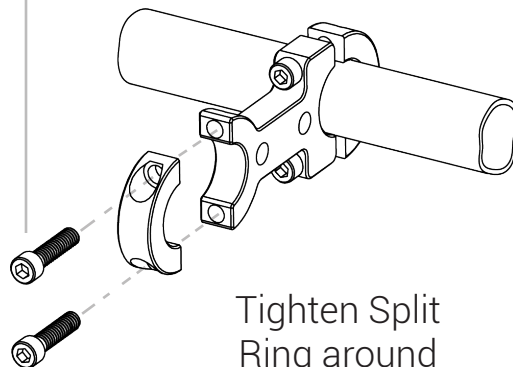
1

1.000in. Horizontal
Tube



2

1/4-20 x 0.750in.
Screws (2)



Full Ring Brackets

CONTACT

P. 416.646.4361

F. 416.646.4358

www.ideasfil.com

16 Malley Road
Scarborough, Ontario
M1L 2E2



Part # 6146

*only use mounting plates on the devices which they are designated for